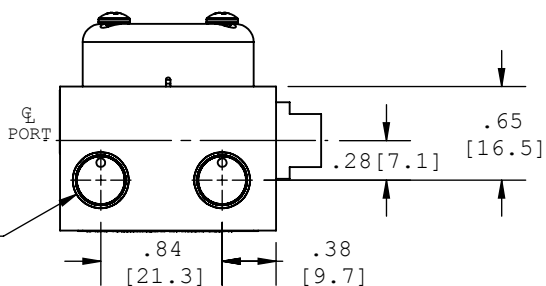
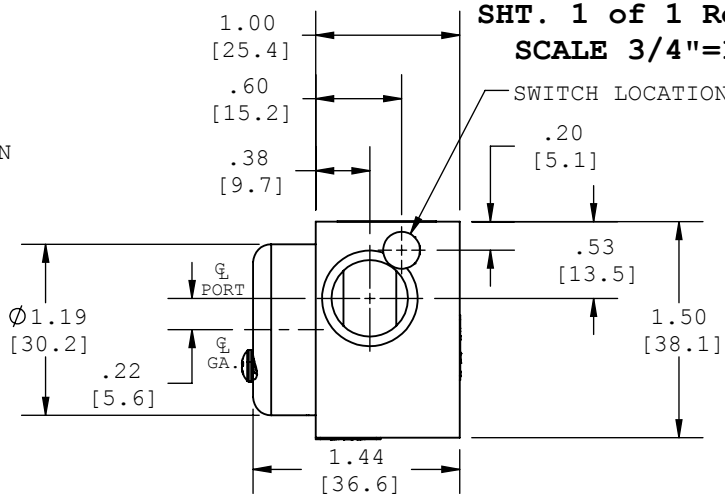
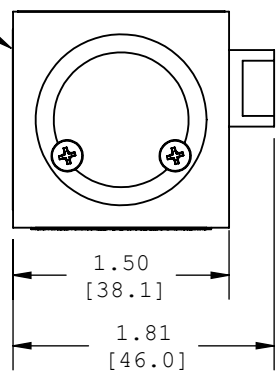


**1002PIS-5D-1M- ( ) PVC MODEL**

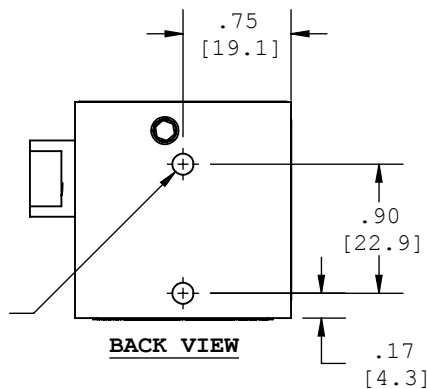
**SHT. 1 of 1 Rev.A**  
**SCALE 3/4"=1**

WIRES TO  
EXTRUDE FROM  
THIS SIDE  
OF THE UNIT.

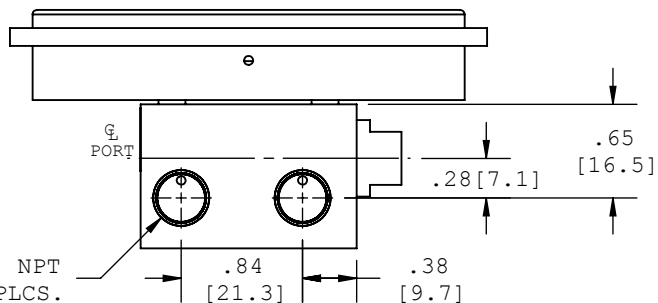
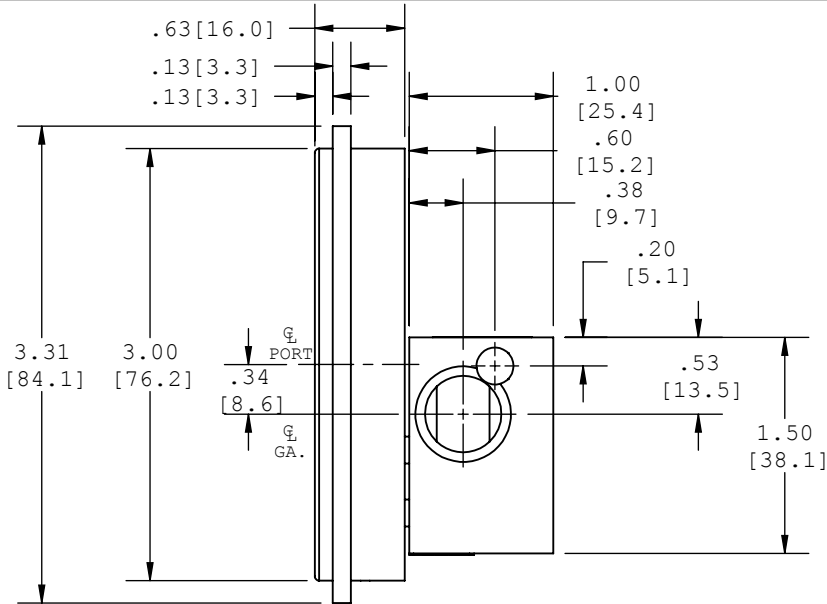
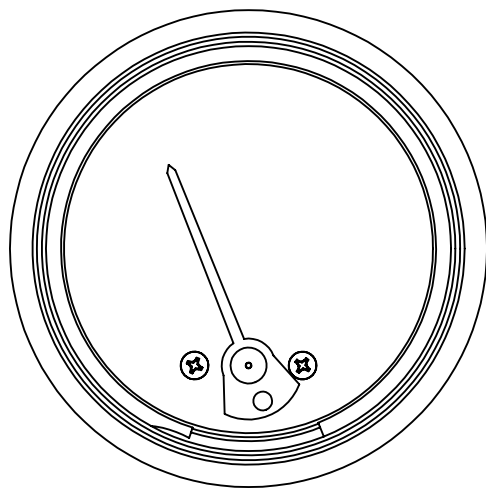
\*SWITCH NOT SHOWN



Ø.15 [3.8]  
MNTG HOLES  
FOR #8 SELF  
TAPPING SCREWS  
(2) PLCS.



**1002PI-5D-2.5M PVC MODEL**



**NOTE:**  
**THIS MODEL HAS THE SAME BACK**  
**MNTG. HOLES AS THE ABOVE**  
**1002PIS-5D UNIT.**

**NOTE: DIMENSIONS IN BRACKETS ARE IN MILLIMETERS**