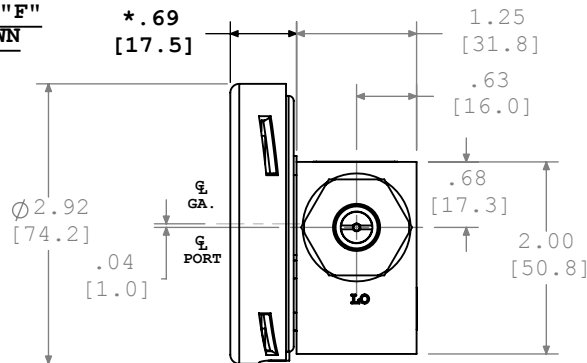
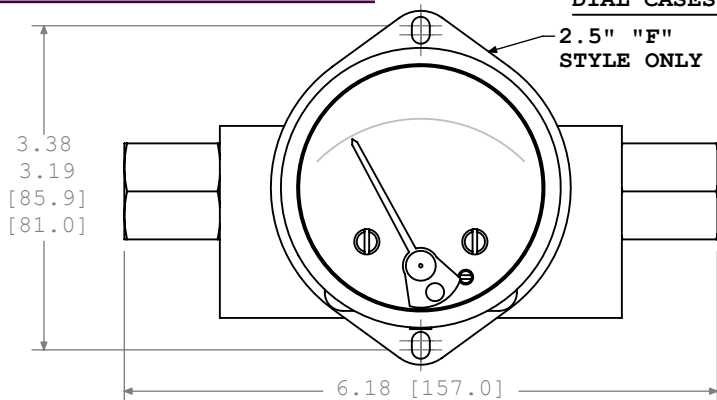


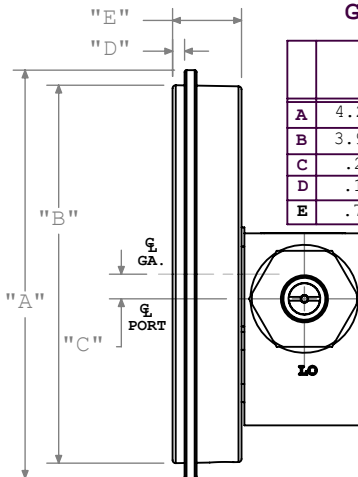
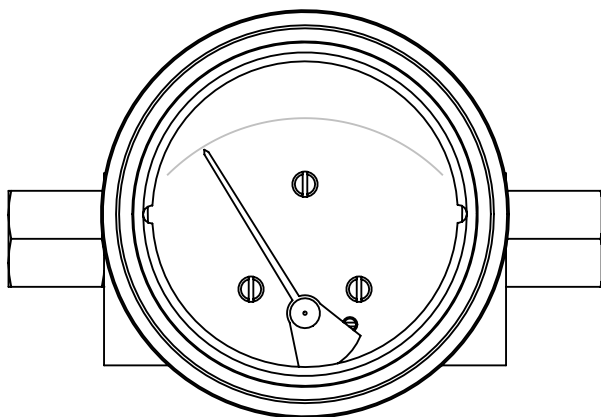
**DIAL CASE STYLES**

2.5" "B" & 2.5" "F"  
DIAL CASES SHOWN



\*.78 [19.8] on 2.5" "F"-STYLE GA. CASE

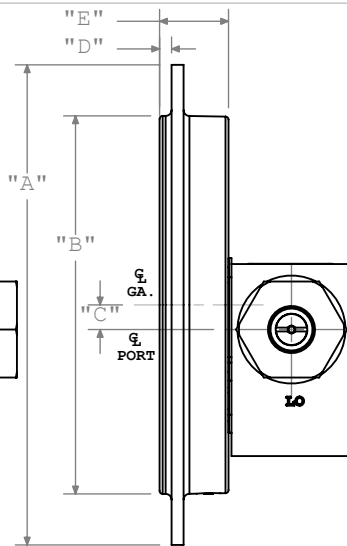
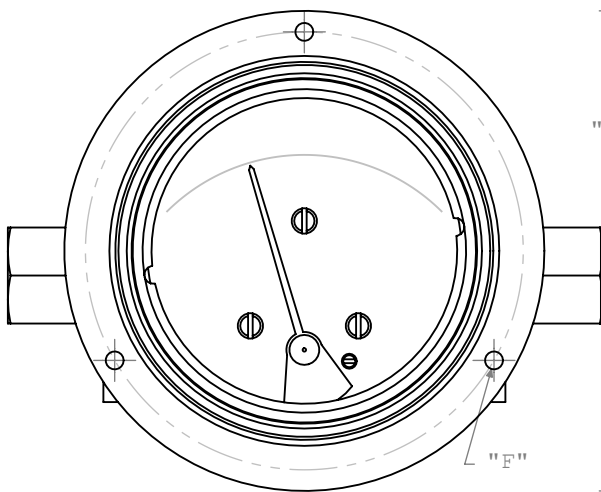
**"B"-STYLE DIAL CASE**



**GAUGE CASE SIZES & DIMENSIONS**

	3.5"	4.5"	6.0"
A	4.25[108.0]	5.25[133.4]	6.68[169.7]
B	3.94[100.1]	4.94[125.5]	6.44[163.6]
C	.25[6.4]	.62[15.7]	1.35[34.3]
D	.13[3.3]	.13[3.3]	.13[3.3]
E	.72[18.3]	.72[18.3]	.75[19.1]

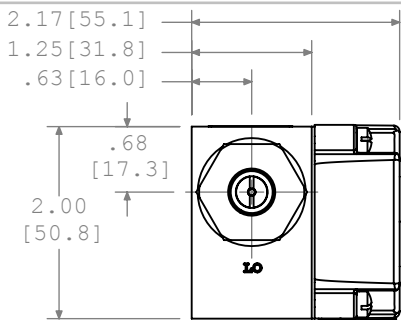
**"F"-STYLE DIAL CASE**



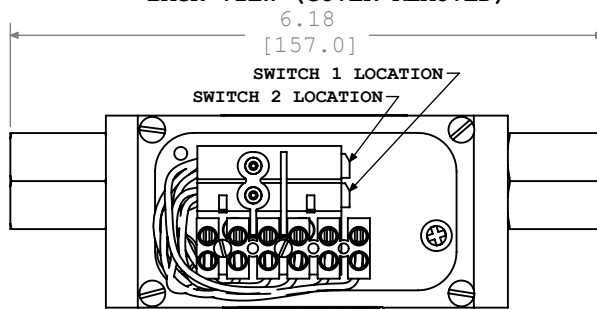
**GAUGE CASE SIZES & DIMENSIONS**

	3.5"	4.5"	6.0"
A	5.00[127.0]	6.00[152.4]	7.62[193.5]
B	3.94[100.1]	4.94[125.5]	6.44[163.6]
C	.25[6.4]	.62[15.7]	1.35[34.3]
D	.13[3.3]	.13[3.3]	.13[3.3]
E	.72[18.3]	.72[18.3]	.75[19.1]
F	PANEL CUTOUT: ∅4.00 3 MTG. HOLES ∅.187 EQUALLY SPACED ON A ∅4.56 B.C.	PANEL CUTOUT: ∅5.00 3 MTG. HOLES ∅.218 EQUALLY SPACED ON A ∅5.38 B.C.	PANEL CUTOUT: ∅5.50 3 MTG. HOLES ∅.218 EQUALLY SPACED ON A ∅7.00 B.C.

**MODEL 1206PS (1/4" NPT) 2 SWITCH OPTION**

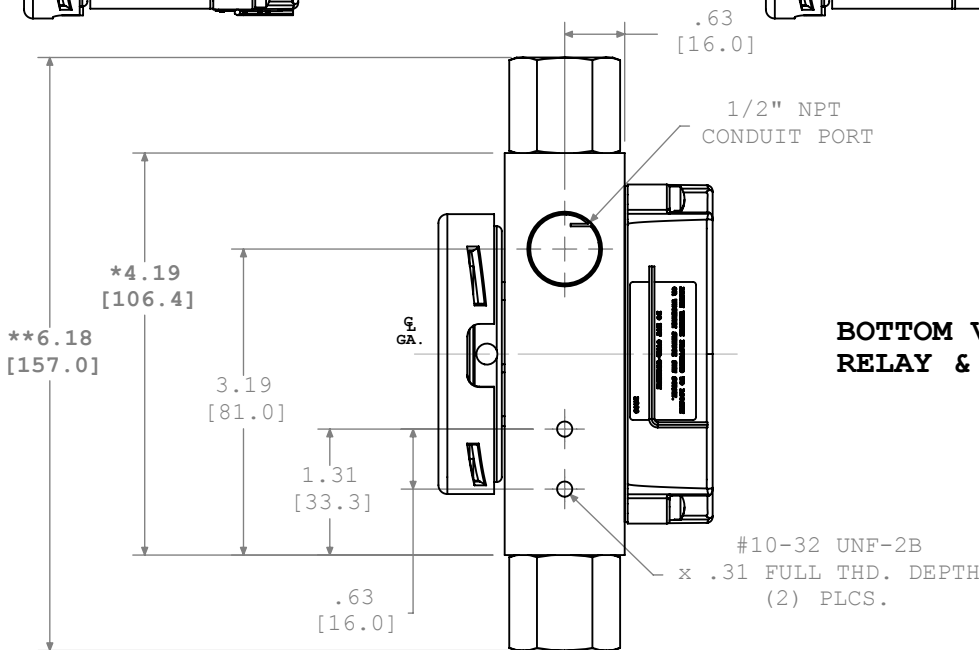
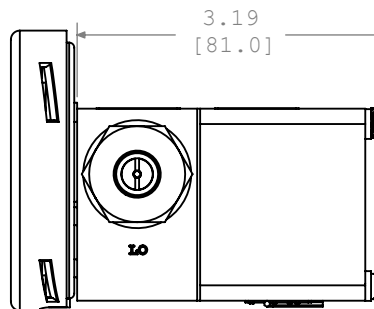
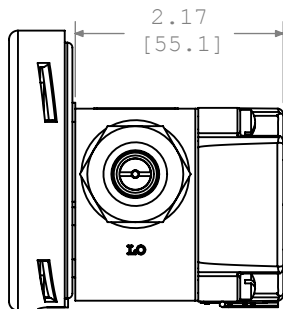


**BACK VIEW (COVER REMOVED)**



WITH SWITCH ENCLOSURE

WITH RELAY ENCLOSURE



**BOTTOM VIEW FOR BOTH  
RELAY & SWITCH UNITS**

\* APPLIES TO ALL 1206 MODELS

\*\* APPLIES TO 1206PG/PGS/PS-1 MODELS 1/4" NPT  
(1206PG-4 & 1206PG-5 MODEL LENGTHS SHOWN BELOW)

PORTING LOCATIONS (FOR -4 & -5 PG MODELS ONLY, 1/4"NPT)

