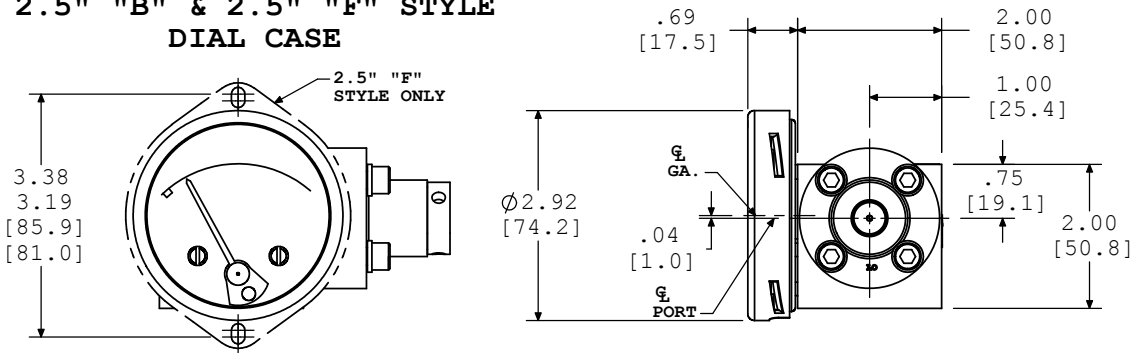
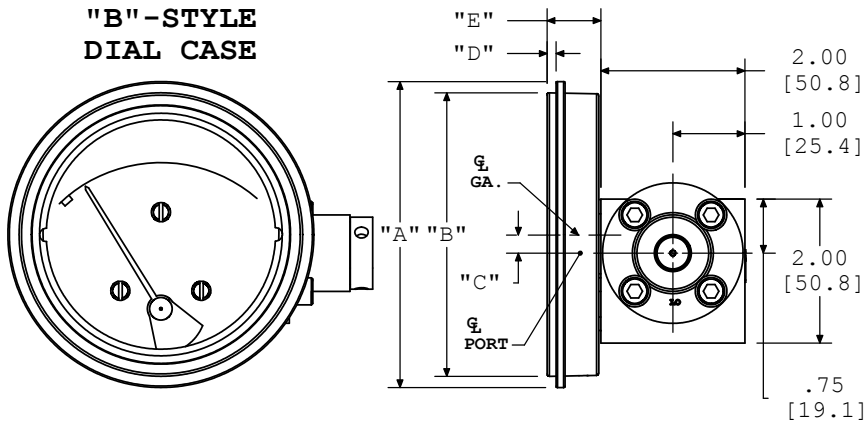


DIAL CASE STYLES

2.5" "B" & 2.5" "F" STYLE DIAL CASE



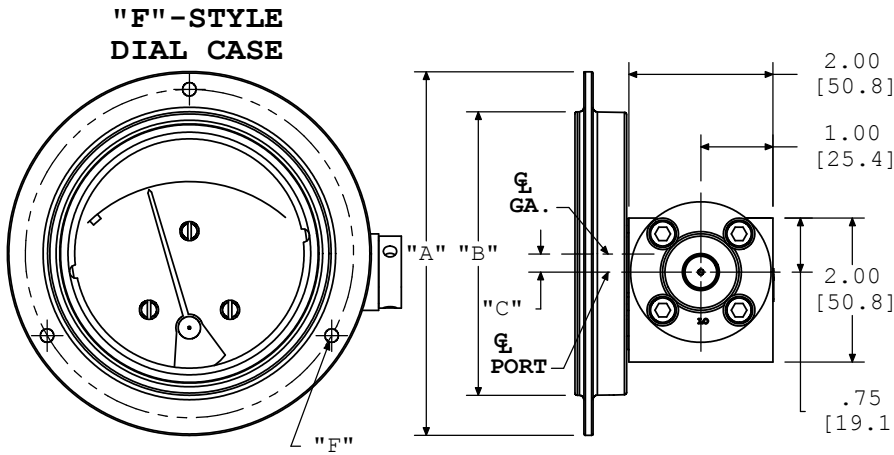
"B"-STYLE DIAL CASE



DIAL CASE SIZES & DIMENSIONS

	3.5"	4.5"	6.0"
A	4.25[108.0]	5.25[133.4]	6.68[169.7]
B	3.94[100.1]	4.94[125.5]	6.44[163.6]
C	.26[6.6]	.63[16.0]	1.35[34.3]
D	.13[3.3]	.13[3.3]	.13[3.3]
E	.72[18.3]	.72[18.3]	.75[19.1]

"F"-STYLE DIAL CASE



DIAL CASE SIZES & DIMENSIONS

	3.5"	4.5"	6.0"
A	5.00[127.0]	6.00[152.4]	7.62[193.5]
B	3.94[100.1]	4.94[125.5]	6.44[163.6]
C	.26[6.6]	.63[16.0]	1.35[34.3]
D	.13[3.3]	.13[3.3]	.13[3.3]
E	.72[18.3]	.72[18.3]	.75[19.1]
F	PANEL CUTOUT: $\phi 4.00$ 3 MTG. HOLES $\phi .187$ EQUALLY SPACED ON A $\phi 4.56$ B.C.	PANEL CUTOUT: $\phi 5.00$ 3 MTG. HOLES $\phi .218$ EQUALLY SPACED ON A $\phi 5.38$ B.C.	PANEL CUTOUT: $\phi 6.50$ 3 MTG. HOLES $\phi .218$ EQUALLY SPACED ON A $\phi 7.00$ B.C.

PORTING LOCATIONS

