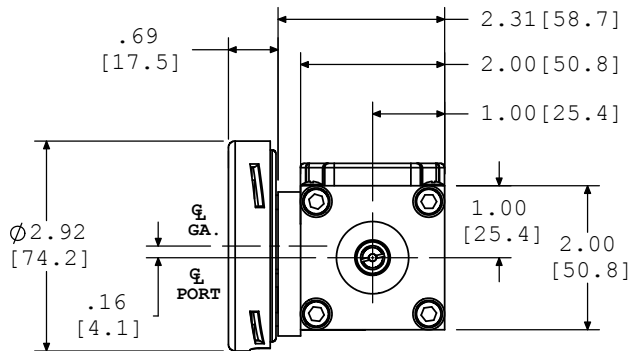
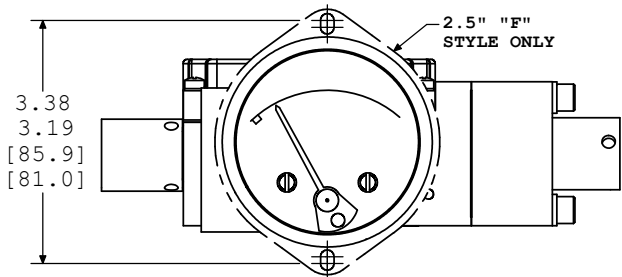
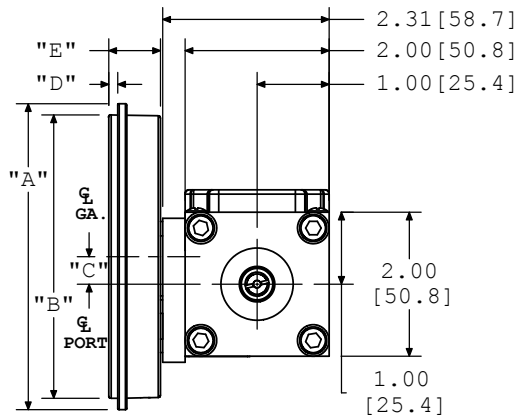
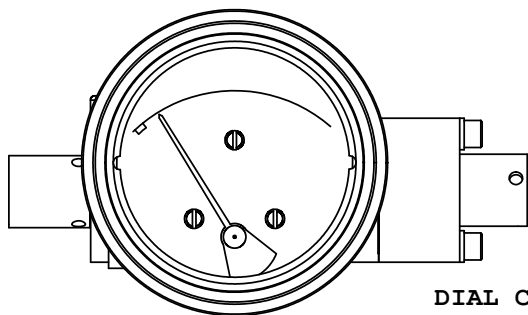


### DIAL CASE STYLES

#### 2.5" "B"-STYLE & 2.5" "F" STYLE DIAL CASE



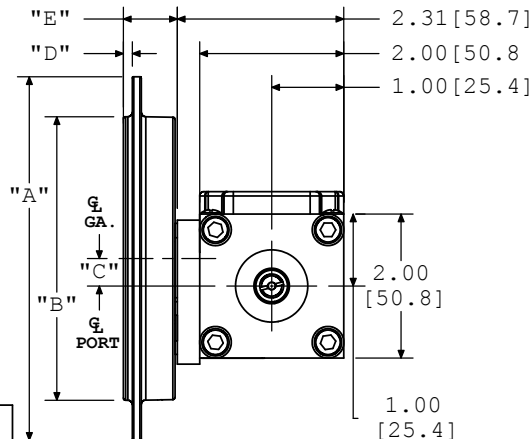
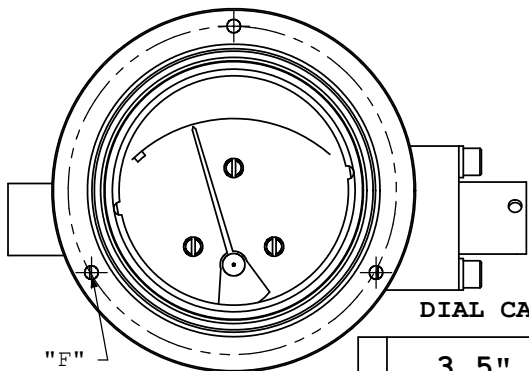
#### "B"-STYLE DIAL CASE



DIAL CASE SIZES & DIMENSIONS

	3.5"	4.5"	6.0"
A	4.25[108.0]	5.25[133.4]	6.68[169.7]
B	3.94[100.1]	4.94[125.5]	6.44[163.6]
C	.38[9.7]	.75[19.1]	1.48[37.6]
D	.13[3.3]	.13[3.3]	.13[3.3]
E	.72[18.3]	.72[18.3]	.75[19.1]

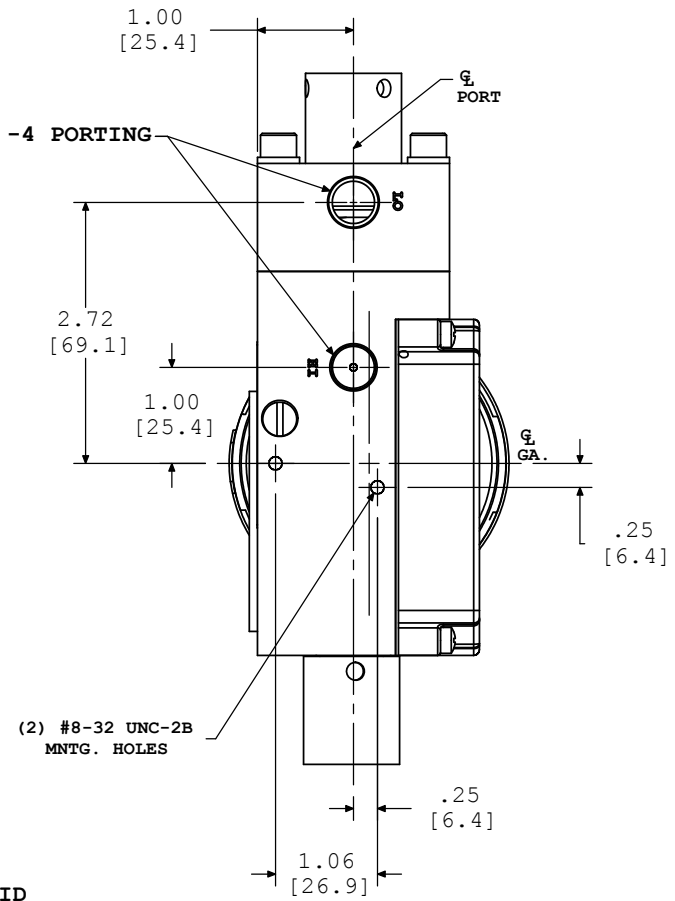
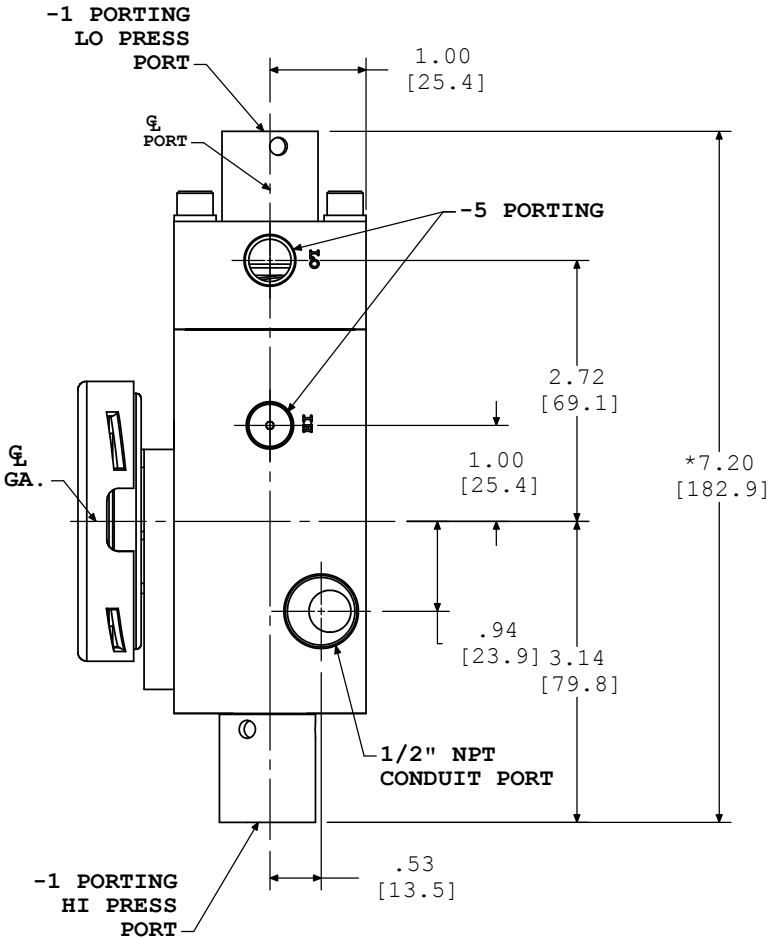
#### "F"-STYLE DIAL CASE



DIAL CASE SIZES & DIMENSIONS

	3.5"	4.5"	6.0"
A	5.00[127.0]	6.00[152.4]	7.62[193.5]
B	3.94[100.1]	4.94[125.5]	6.44[163.6]
C	.38[9.7]	.75[19.1]	1.48[37.6]
D	.13[3.3]	.13[3.3]	.13[3.3]
E	.72[18.3]	.72[18.3]	.75[19.1]
F	PANEL CUTOUT: Ø4.00 3 MTG. HOLES Ø.187 EQUALLY SPACED ON A Ø4.56 B.C.	PANEL CUTOUT: Ø5.00 3 MTG. HOLES Ø.218 EQUALLY SPACED ON A Ø5.38 B.C.	PANEL CUTOUT: Ø6.50 3 MTG. HOLES Ø.218 EQUALLY SPACED ON A Ø7.00 B.C.

**PORTING LOCATIONS FOR 1518DGS**



\* FOR RANGES 0-20 PSID  
 & GREATER, LENGTH  
 INCREASES TO 7.63 [193.8]