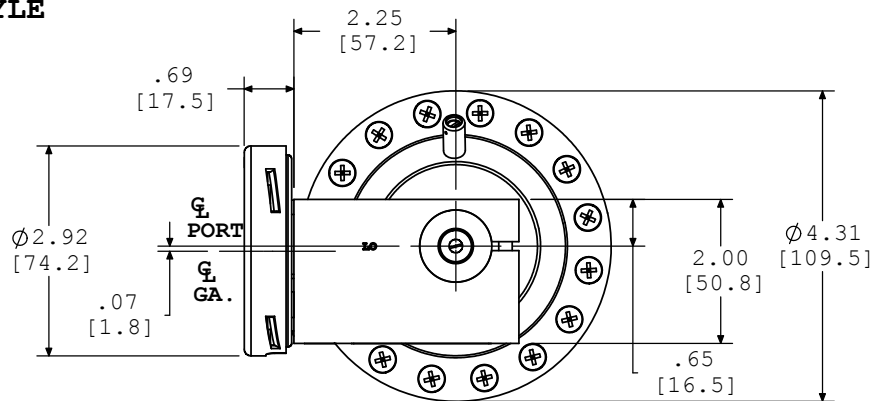
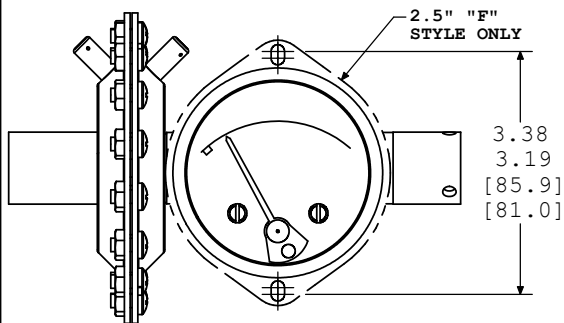
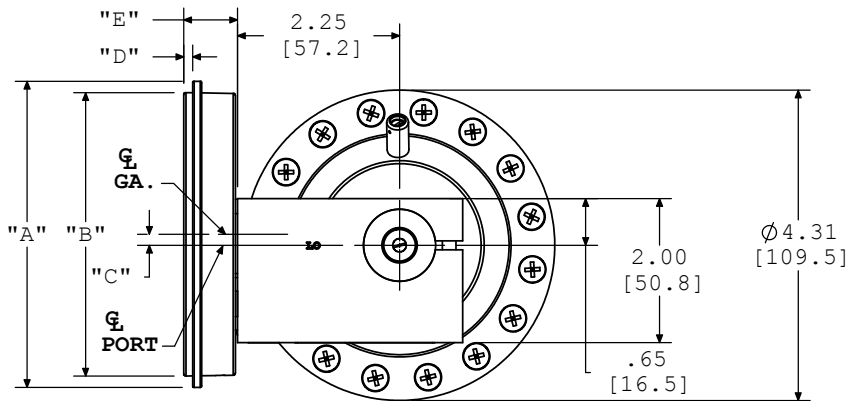
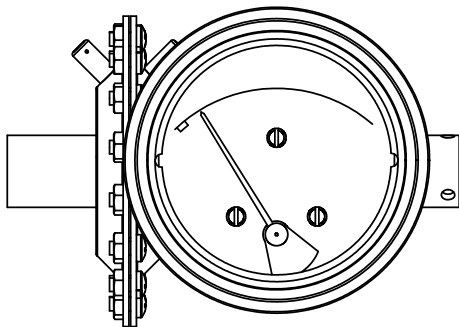


**DIAL CASE STYLES**

**2.5" "B" STYLE & 2.5" "F" STYLE  
DIAL CASE**



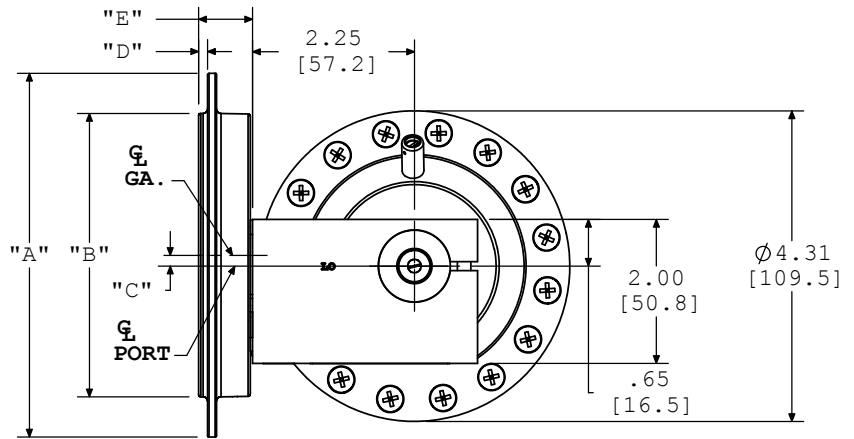
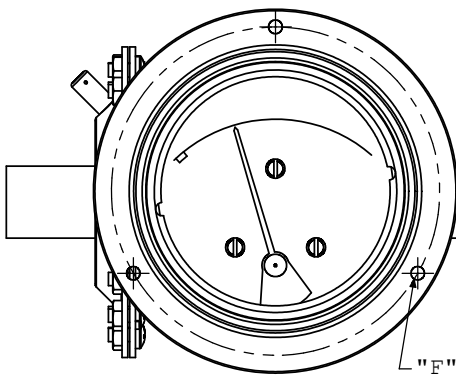
**"B"-STYLE  
DIAL CASE**



**"B"-STYLE  
DIAL CASE SIZES & DIMENSIONS**

	3.5"	4.5"	6.0"
A	4.25 [108.0]	5.25 [133.4]	6.68 [169.7]
B	3.94 [100.1]	4.94 [125.5]	6.44 [163.6]
C	.16 [4.1]	.53 [13.5]	1.25 [31.8]
D	.13 [3.3]	.13 [3.3]	.13 [3.3]
E	.72 [18.3]	.72 [18.3]	.75 [19.1]

"F"-STYLE  
DIAL CASE



"F"-STYLE  
DIAL CASE SIZES & DIMENSIONS

	3.5"	4.5"	6.0"
A	5.00 [127.0]	6.00 [152.4]	7.62 [193.5]
B	3.94 [100.1]	4.94 [125.5]	6.44 [163.6]
C	.16 [4.1]	.53 [13.5]	1.25 [31.8]
D	.13 [3.3]	.13 [3.3]	.13 [3.3]
E	.72 [18.3]	.72 [18.3]	.75 [19.1]
F	PANEL CUTOUT: Ø4.00 3 MTG. HOLES Ø.187 EQUALLY SPACED ON A Ø4.56 B.C.	PANEL CUTOUT: Ø5.00 3 MTG. HOLES Ø.218 EQUALLY SPACED ON A Ø5.38 B.C.	PANEL CUTOUT: Ø6.50 3 MTG. HOLES Ø.218 EQUALLY SPACED ON A Ø7.00 B.C.

PORTING LOCATIONS

